

Rangetop for wash GK

Rangetop and Top inox

Code: 3163 000



DETAILS

Material AISI 304 stainless steel

Texture Brushed in line

Dimensions 900x650 mm

Standard fittings Fixing hooks, gasket, drain, overflow and siphon, boxed packing

Mixer holes 2 standard holes

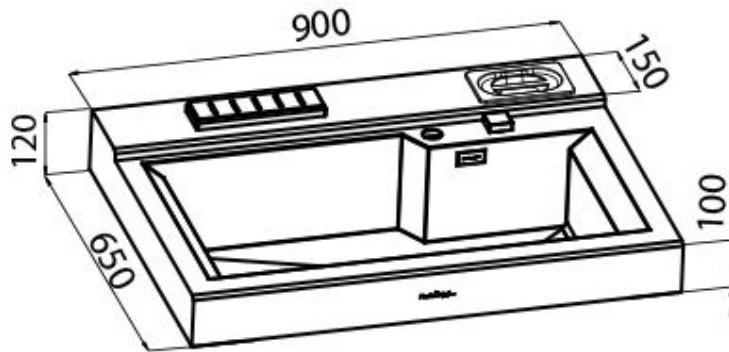
Built-in hole [View technical data sheet](#)

Bowl dimension 730 x 440 mm

Waste fitting Drain with automatic control SPACE

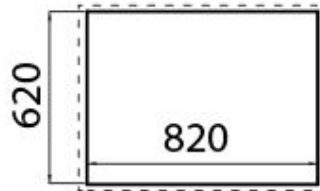
Type Induction Hob

TECHNICAL DATA



Incasso

①



②

③



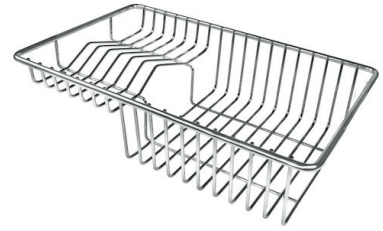
OPTIONAL ACCESSORIES



HPDE twin chopping board
8644 100



Iroko-wood sliding chopping board
8656 001



Stainless steel plate rack
8100 303